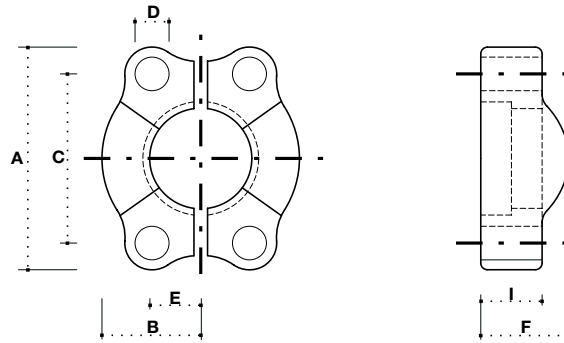


Halbflansch SAE 3000 PSI / Paar

Split flange clamps couple
SAE 3000 PSI

Полуфланцевое парное
соединение – скоба SAE 3000
PSI

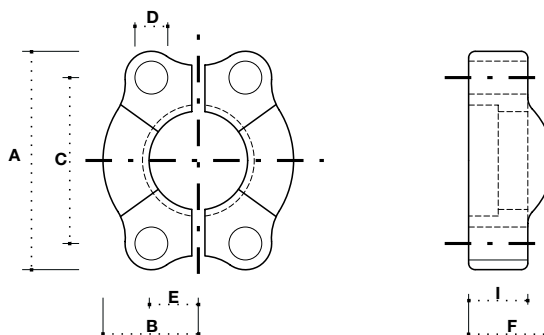


Artikel Code	Flansch / Flange			Flansch Flange	Abmessung / Dimension mm							Euro
	DN	Inch Inches	Size		F	A	B	C	D	E	F	
SFL08	12	1/2"	08	1/2"	56.3	23.8	40.5	9	9.2	15.9	22.2	5,42
SFL12	20	3/4"	12	3/4"	71.4	30.2	50.8	11	11.9	19	28.6	5,70
SFL16	25	1"	16	1"	80.9	34.9	57.1	13	13.9	22.2	36.5	6,18
SFL20	32	1.1/4"	20	1.1/4"	95.2	38.9	66.7	15	15.8	23.8	39.7	7,58
SFL24	40	1.1/2"	24	1.1/2"	112.7	47.6	79.4	17	18.2	27	46	9,23
SFL32	50	2"	32	2"	113.3	57.1	96.8	21	22.2	36.5	55.6	13,77

Halbflansch SAE 6000 PSI - Paar

Split flange clamps couple
SAE 6000 PSI

Полуфланцевое парное
соединение – скоба SAE 6000
PSI



Artikel Code	Schlauch / Hose			Flansch Flange	Abmessung / Dimension mm							Euro
	DN	Inch Inches	Size		F	A	B	C	D	E	F	
SFP08	12	1/2"	08	1/2"	56.3	23.8	40.5	9	9.2	15.9	22.2	5,87
SFP12	20	3/4"	12	3/4"	71.4	30.2	50.8	11	11.9	19	28.6	6,58
SFP16	25	1"	16	1"	80.9	34.9	57.1	13	13.9	22.2	36.5	8,84
SFP20	32	1.1/4"	20	1.1/4"	95.2	38.9	66.7	15	15.8	23.8	39.7	12,28
SFP24	40	1.1/2"	24	1.1/2"	112.7	47.6	79.4	17	18.2	27	46	21,29
SFP32	50	2"	32	2"	113.3	57.1	96.8	21	22.2	36.5	55.6	39,27